

До: „АЕЦ Козлодуй“ ЕАД

гр. Козлодуй 3321

Относно: пазарни консултации № 53611 за „Доставка на силови резистори към системата за възбуждане на 9(10)GQ“

На вниманието на:

Христо Пачев

Гл. експерт „Маркетинг“

Тел.: +359 973 7 6140

E-mail: HPatchev@npp.bg

ИНДИКАТИВНО ПРЕДЛОЖЕНИЕ

по проведени пазарни консултации № 53611 за „Доставка на силови резистори към системата за възбуждане на 9(10)GQ“

ОТ

„МВ КОРПОРЕЙШЪН“ ЕООД

ЕИК: 206475290; ИН по ДДС: BG206475290

Седалище и адрес за кореспонденция: гр. София 1612, ж.к.: Лагера“, бл.52, вх. Г, ет. 5

лице за контакт: инж. Марианна Витанова – Управител, тел.: 0896976769

Уважаеми г-н Пачев,

Имаме удоволствието да Ви предложим нашето индикативно предложение по гореспоменатата пазарна консултация № 53611, както следва:

№	ИД по ВААН	Наименование	Технически характеристики	М-ка	К-во	Стандарт, нормативен документ, каталожен номер и др.	Производител	Ед. цена/лв. без ДДС	Ст-ст/лв. без ДДС
1.		Силов резистор	Резисторен модул с фиксирана стойност на съпротивлението; степен на защита IP 20; без устойчив на атмосферни влияния допълнителен горен капак; произведен в напълно затворен корпус от цинкова ламарина със стационарна предпазна решетка отгоре и отдолу. С болтови клеми M12 с керамична изолация за ток до 400 А. Номинална стойност на съпротивлението на резистора: 0,3 Ом . Максимална разсейвана мощност (при 40 °С околна температура и 100% коефициент на работен цикъл): 36 kW . Материал на свързващите части и на корпуса: неръждаема стоамана 1.4301/AISI304. За монтаж на пода в закрито помещение.	Бр.	1	FA 33272 02-0.3	FRIZLEN GMBH U. CO KG.	10 505,00	10 505,00

2.	Силов резистор	Резисторен модул с фиксирана стойност на съпротивлението; степен на защита IP 00; със стационарни предпазни поцинковани стоманени плочи от двете страни на модула. С болтови клеми M8 с керамична изолация за ток до 115 A. Номинална стойност на съпротивлението на резистора: 2,2 Ом. Максимална разсейвана мощност (при 40 °C околна температура и 100% коефициент на работен цикъл): 7 kW. Материал на свързващите части и на корпуса: неръждаема стомана 1.4301/AISI304. За монтаж на пода в закрито помещение.	Бр.	1	FK 31114 02-2.2	FRIZLEN GMBH U. CO KG.	2 580,00	2 580,00
----	----------------	------------------------------------------------------------------------------------------------------------------------------------------------------------------------------------------------------------------------------------------------------------------------------------------------------------------------------------------------------------------------------------------------------------------------------------------------------------------------------------------------------------------------------------------------	-----	---	-----------------	---------------------------	----------	----------

ОБЩО: 13 085,00 лв.**Търговски условия:**

1. Посочените цени са в лева без ДДС, с включени всички разходи за доставка.
2. Срок на доставка: до 60 календарни дни.
3. Условия на доставка: DDP гр. Козлодуй.
4. Гаранционен срок: 12 месеца от датата на доставка.
5. Начин на плащане: до 30 календарни дни от приемане на доставката.
6. Валидност на офертата: 30 дни.

Списък на съпровождащите стоката документи:

1. Гаранционна карта.
2. Декларация за съответствие.
3. Декларация за произход.
4. Приемо-предавателен протокол.
5. Оригинална данъчна фактура.

Дата: 09.04.2024 г.
гр. София

С уваж

Заличено на
основание ЗЗЛД



инж. М. Витанова - Управител

FRIZLEN GmbH u. Co KG.
Gottlieb-Daimler-Straße 61
D-71711 Murr
Telefon: 07144/8100-0
Telefax: 07144/207630
E-mail: info@frizlen.com
Internet: www.frizlen.com



FRIZLEN BX-E-2504/09.04.2024
LEISTUNGSWIDERSTÄNDE

Dynamik durch Widerstand

FRIZLEN GmbH u. Co KG. • Postfach 424 • D-71712 Murr

MV Corporation Ltd.
Mr. Kristian Stanchev
Lagera District, bl. 52, entr. G, fl.5
1612 Sofia - Bulgaria

Ihre Nachricht/Your information	Ihre Zeichen/Your sign	Ansprechpartner/Opposite no.	Telefon/Phone	Datum/Date
04.04.24		Hr. Horn	07144/8100-30	04.04.24

Authorization

This is to confirm that

MV Corporation Ltd.
Mr. Kristian Stanchev
Lagera District, bl. 52, entr. G, fl.5
1612 Sofia - Bulgaria

is authorized to sell our products on the Bulgarian Market.

This authorization is valid till December 31st 2024.

Murr, Germany, 04.04.2024

Alexander Horn
General Manager

Frizlen GmbH u. Co KG.
Kommanditgesellschaft, Sitz: Murr
Registergericht Stuttgart, HRA 310266
Steuernummer 7137322001 FA Ludwigsburg
USt.-Ident-Nummer: DE 146127322

Komplementär:
FRIZLEN Verwaltungs-GmbH, Sitz: Murr
Registergericht Stuttgart HRB 310330
Geschäftsführer: Ernst Gehrung, Julia Horn

Kreissparkasse Ludwigsburg (604 500 50) Kto. Nr. 37004
IBAN DE97 6045 0050 0000 037004 – BIC SOLA DE S1 LBG
Deutsche Bank Ludwigsburg (604 700 82) Kto. Nr. 0800 987
IBAN DE67 6047 0082 0080 0987 00 – BIC DEUT DESS604
Postbank Stuttgart (600 100 70) Kto. Nr. 8828 702



Type series FA 3.. / FS 3..

1,5 – 66 kW with several terminals



FA... Steel-grid fixed resistor unit, degree of protection IP 20 without weatherproof roof,

FS... Steel-grid fixed resistor unit, degree of protection IP 23 with weatherproof roof

In completely closed zinc sheet enclosure with protective grid at the top and bottom. Ceramic insulated flat or bolt terminals of 35 A up to 400 A in variable combinations available.

Ⓜ optional, the type designation would be FA.U 3.. / FS.U 3..

Technologies

- for middle and high power ratings
- Up to 40 FK-terminals
- continuous dissipation up to 66 kW
- for floor-level mounting
- for outdoor location (FS...)
- optional with temperature switch (TS) wired on two terminals, the type designation would be F.Q. 3...

The necessary terminals are mounted on a terminal strip in the lower part of the device and are accessible after demounting a cover.

By the use of 12 different enclosure sizes – with 3 heights and 4 widths we can well adapt the construction form to the given space. In the range between 14 and 88 steel-grids you can make your choice between smaller and lower forms.

You will find suggestions for the dimensioning of the resistor for short time load at chapter Technical Details, pages T613E to T620E.

Application

An important application is the use as braking resistor for motor/generator drive of motors with frequency converters, where big power ratings are necessary for outdoor location combined with degree of protection IP 20 or IP 23.

Special design

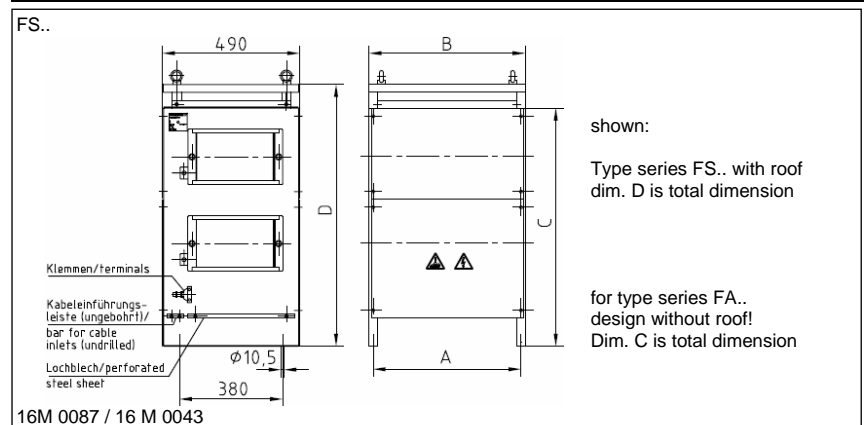
- For special applications also in a four block design
- Enclosure additionally varnished in RAL 7032 or other colours
- Connection parts and enclosure out of stainless steel 1.4301/AISI304

Electrical and mechanical data

Type FA 3.. / FS 3.. without, FAQ 3.. / FSQ 3.. with TS	max. typical power in kW at 40°C and 100% DCF	production range Ω-value		max. number of steel-grids corresp. to given device size	dimensions in mm				max. weight in kg
		from	to		A	B	C	D only IP23	
F.. 31114..	7,0	0,31	78	14	370	395	460	520	26
F.. 31224..	12,0	0,53	134	24	570	595	460	520	36
F.. 31334..	17,0	0,75	190	34	770	795	460	520	51
F.. 31444..	22,0	0,97	246	44	970	995	460	520	61
F.. 32128..	14,0	0,16	156	28	370	395	710	770	41
F.. 32248..	24,0	0,27	268	48	570	595	710	770	61
F.. 32368..	34,0	0,38	380	68	770	795	710	770	86
F.. 32488..	44,0	0,49	492	88	970	995	710	770	101
F.. 33272..	36,0	0,18	403	72	570	595	960	1100	82
F.. 33302..	51,0	0,25	570	102	770	795	960	1100	112
F.. 33432..	66,0	0,32	739	132	970	995	960	1100	138

This table only represents the maximum number of steel-grids of the specific size of unit and the corresponding maximum typical power. All numbers of steel-grids corresponding to our types between 3 pc. (1,5 kW) und 132 pc. (66 kW) are available. Type code and selection of units see Technical Details pages T613E to T620E.

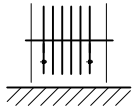
Type	Max. number of terminals up to					
	FK 35A	BK M6 60A	BK M8 115A	BK M10 170A	BK M10 220A	BK M12 400A
F.. 3.1..	16	10	8	7	7	7
F.. 3.2..	24	16	14	12	12	11
F.. 3.3..	32	23	20	17	17	16
F.. 3.4..	40	30	26	22	22	20



Example of dimensioning and selection of a specific unit:

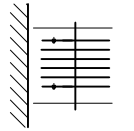
see Technical Details pages T613E to T620E

Zulässige Montage
permissible installation



Widerstandselement senkrecht. Resistor-element vertical

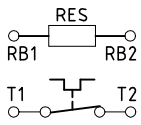
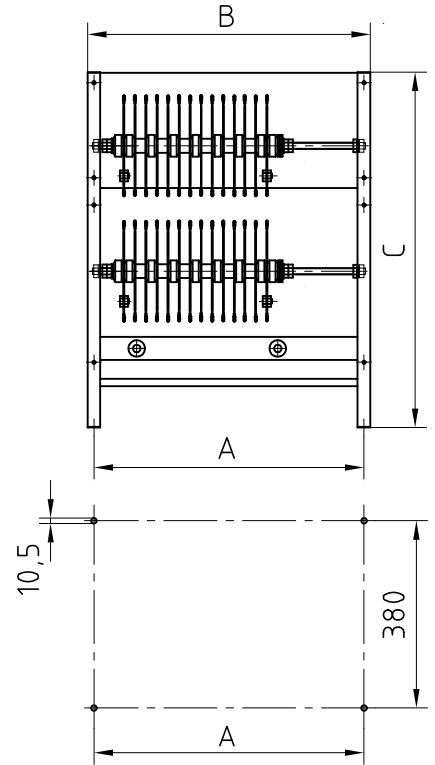
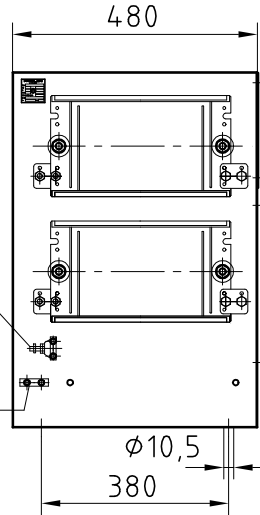
Nicht zulässige Montage
not permissible installation



Widerstandselement waagrecht. Resistor-element horizontal

Klemmen / terminals

Kabeleinführungsleiste (ungebohrt) bar for cable inlets (undrilled)



Hinweis bei FKQ(U)

Durch den Temperaturschalter erfolgt nur Meldung. Abschaltung auf Netzseite durch Anwender.

Remark for FKQ(U)

Temperature switch only opens the contact. The switching of the circuit from the mains has to be done by user.

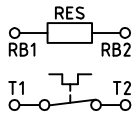
ohne Temperaturschalter without temperature switch		mit Temperaturschalter with temperature switch		max. Stahlgitterzahl max. no. of steel-grids	max. Klemmenzahl / max. no. of terminals up to				Abmessungen / dimensions	Gewicht * weight *			
Type	Größe/size	Type	Größe/size		FK(U)								
					FK	BK M6	BK M8	BK M10	FKQ(U) zusätzlich/ additional	A	B	C	kg
FK(U)	311	FKQ(U)	311	14	16	10	8	7	2	370	395	460	19
FK(U)	312	FKQ(U)	312	24	24	16	14	12	2	570	595	460	26
FK(U)	313	FKQ(U)	313	34	32	23	20	17	2	770	795	460	38
FK(U)	314	FKQ(U)	314	44	40	30	26	22	2	970	995	460	45
FK(U)	321	FKQ(U)	321	28	16	10	8	7	2	370	395	710	31
FK(U)	322	FKQ(U)	322	48	24	16	14	12	2	570	595	710	46
FK(U)	323	FKQ(U)	323	68	32	23	20	17	2	770	795	710	70
FK(U)	324	FKQ(U)	324	88	40	30	26	22	2	970	995	710	80
FK(U)	332	FKQ(U)	332	72	24	16	14	12	2	570	595	960	62
FK(U)	333	FKQ(U)	333	102	32	23	20	17	2	770	795	960	87
FK(U)	334	FKQ(U)	334	132	40	30	26	22	2	970	995	960	109
FK(U)	342	FKQ(U)	342	96	24	16	14	12	2	570	595	1210	78
FK(U)	343	FKQ(U)	343	136	32	23	20	17	2	770	795	1210	104
FK(U)	344	FKQ(U)	344	176	40	30	26	22	2	970	995	1210	135

(U) mit / with UL-Recognition



* Gewichtsangaben sind Richtwerte für Geräte mit maximaler Stahlgitterzahl /
These weights are approximative values for units with max. no. of steel - grids.

Schutzart IP 00			Allgemeintoleranz ISO 2768-m		Maßstab :		Gew.			
Degree of protection IP 00					Werkstoff :					
8				Datum	Name	Stahlgitter - Festwiderstand für Bodenaufstellung Type FK (U) / FKQ (U) 311... - 344... Steel - grid fixed resistor for floor mounting type FK (U) / FKQ (U) 311... - 344...				
7			Bearb	31.10.97	Schn.					
6			Gepr							
5			Norm							
4	Textänderungen	28.09.04	Lutz			16 M 0045				
3	FK.. 34. hinzu	22.05.03	DT.	FRIZLEN D-71712 MURR					Blatt	
2	Q + UL hinzu	10.02.03	DT.							
1	Einbau geändert	21.09.99	Schn.							
Zust	Änderung	Datum	Name							
Ers. f.:		Ers. d.:								

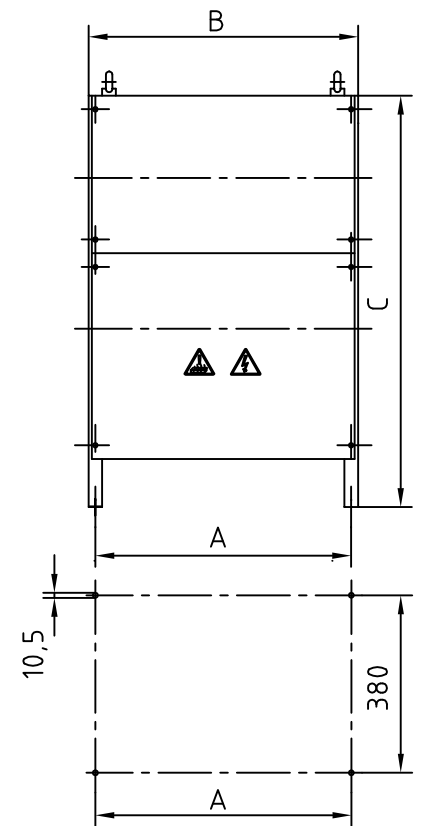
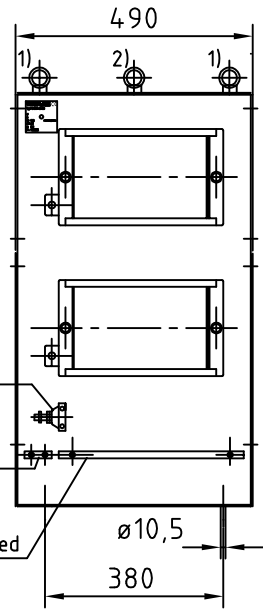


1) nur / only
 FA.. 31.
 FA.. 321 / 322 / 332

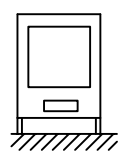
2) nur / only
 FA.. 323 / 324
 FA.. 333 / 334
 FA.. 342 / 343 / 344

Hinweis bei FAQ(U) Remark for FAQ(U)
 Durch den Temperaturschalter
 Temperaturschalter only opens
 erfolgt nur Meldung. the contact.
 Abschaltung auf Netzseite durch
 The switching of the circuit from the mains
 Anwender. has to be done by user.

Klemmen/terminals
 Kabeleinführungs-
 leiste (ungebohrt)/
 bar for cable
 inlets (undrilled)
 Lochblech/perforated
 steel sheet



Zulässige Aufstellung/
 permissible installation



Auf waage-
 rechten
 Flächen/on
 horizontal
 surfaces

Liegend nicht zulässig/
 never mount lying at
 the side

Type	Größe/size	mit Temperatur - schalter with temperature switch	max. Stahl- gitter- zahl max. no. of steel- grids	max.Klemmenzahl/ max.no. of terminals up to				FAQ (U) zusätzlich/ additional	Abmessungen/ dimensions			Gewicht weight *
				FK	BK M6	BK M8	BKM10		PK	A	B	
FA(U)	311	FAQ(U) 311	14	16	10	8	7	2	370	395	460	22
FA(U)	312	FAQ(U) 312	24	24	16	14	12	2	570	595	460	31
FA(U)	313	FAQ(U) 313	34	32	23	20	17	2	770	795	460	45
FA(U)	314	FAQ(U) 314	44	40	30	26	22	2	970	995	460	54
FA(U)	321	FAQ(U) 321	28	16	10	8	7	2	370	395	710	37
FA(U)	322	FAQ(U) 322	48	24	16	14	12	2	570	595	710	56
FA(U)	323	FAQ(U) 323	68	32	23	20	17	2	770	795	710	80
FA(U)	324	FAQ(U) 324	88	40	30	26	22	2	970	995	710	93
FA(U)	332	FAQ(U) 332	72	24	16	14	12	2	570	595	960	74
FA(U)	333	FAQ(U) 333	102	32	23	20	17	2	770	795	960	102
FA(U)	334	FAQ(U) 334	132	40	30	26	22	2	970	995	960	126
FA(U)	342	FAQ(U) 342	96	24	16	14	12	2	570	595	1210	92
FA(U)	343	FAQ(U) 343	136	32	23	20	17	2	770	795	1210	123
FA(U)	344	FAQ(U) 344	176	40	30	26	22	2	970	995	1210	156

(U) mit / with UL-Recognition **UL**

* Gewichtsangaben sind Richtwerte für Geräte mit maximaler Stahlgitterzahl/
 these weights are approximative values for units with max. no. of steel - grids.

Schutzart IP 20 Innenaufstellung und Bodenbefestigung Degree of protection IP 20 for floor mounting and indoor location				Allgemein- toleranz ISO 2768-m		Maßstab :		Gew.			
						Werkstoff :					
				Datum		Name		Stahlgitter - Festwiderstand Type FA(U) / FAQ(U) 311... - 344... Steel - grid fixed resistor type FA(U) / FAQ(U) 311... - 344...			
				Bearb. 11.03.97		Schn.					
				Gepr							
				Norm							
				FRIZLEN D-71712 MURR				16 M 0087			
Zust		Änderung		Datum		Name		Ers. f.: ERSATZ		Ers. d.:	

ACAD-LT

A
B
C
D
E
F



Type series FA 3.. / FS 3..

1,5 – 66 kW with several terminals



FA... Steel-grid fixed resistor unit, degree of protection IP 20 without weatherproof roof,

FS... Steel-grid fixed resistor unit, degree of protection IP 23 with weatherproof roof

In completely closed zinc sheet enclosure with protective grid at the top and bottom. Ceramic insulated flat or bolt terminals of 35 A up to 400 A in variable combinations available.

Ⓜ optional, the type designation would be FA.U 3.. / FS.U 3..

Technologies

- for middle and high power ratings
- Up to 40 FK-terminals
- continuous dissipation up to 66 kW
- for floor-level mounting
- for outdoor location (FS...)
- optional with temperature switch (TS) wired on two terminals, the type designation would be F.Q. 3...

The necessary terminals are mounted on a terminal strip in the lower part of the device and are accessible after demounting a cover.

By the use of 12 different enclosure sizes – with 3 heights and 4 widths we can well adapt the construction form to the given space. In the range between 14 and 88 steel-grids you can make your choice between smaller and lower forms.

You will find suggestions for the dimensioning of the resistor for short time load at chapter Technical Details, pages T613E to T620E.

Application

An important application is the use as braking resistor for motor/generator drive of motors with frequency converters, where big power ratings are necessary for outdoor location combined with degree of protection IP 20 or IP 23.

Special design

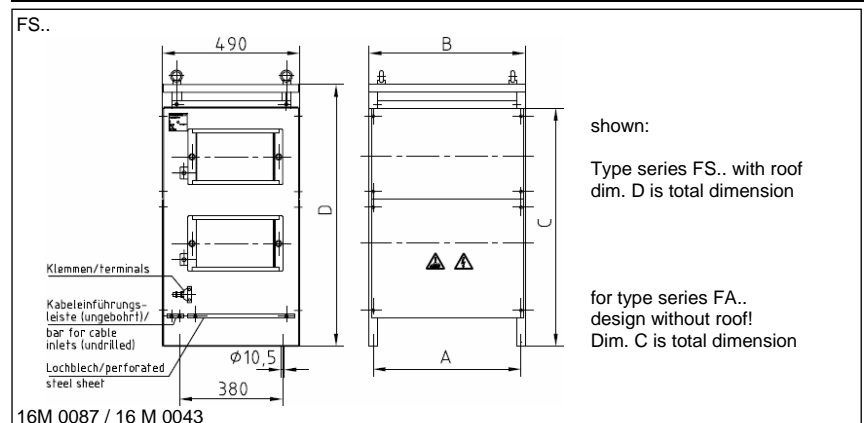
- For special applications also in a four block design
- Enclosure additionally varnished in RAL 7032 or other colours
- Connection parts and enclosure out of stainless steel 1.4301/AISI304

Electrical and mechanical data

Type FA 3.. / FS 3.. without, FAQ 3.. / FSQ 3.. with TS	max. typical power in kW at 40°C and 100% DCF	production range Ω-value		max. number of steel-grids corresp. to given device size	dimensions in mm				max. weight in kg
		from	to		A	B	C	D only IP23	
F.. 31114..	7,0	0,31	78	14	370	395	460	520	26
F.. 31224..	12,0	0,53	134	24	570	595	460	520	36
F.. 31334..	17,0	0,75	190	34	770	795	460	520	51
F.. 31444..	22,0	0,97	246	44	970	995	460	520	61
F.. 32128..	14,0	0,16	156	28	370	395	710	770	41
F.. 32248..	24,0	0,27	268	48	570	595	710	770	61
F.. 32368..	34,0	0,38	380	68	770	795	710	770	86
F.. 32488..	44,0	0,49	492	88	970	995	710	770	101
F.. 33272..	36,0	0,18	403	72	570	595	960	1100	82
F.. 33302..	51,0	0,25	570	102	770	795	960	1100	112
F.. 33432..	66,0	0,32	739	132	970	995	960	1100	138

This table only represents the maximum number of steel-grids of the specific size of unit and the corresponding maximum typical power. All numbers of steel-grids corresponding to our types between 3 pc. (1,5 kW) und 132 pc. (66 kW) are available. Type code and selection of units see Technical Details pages T613E to T620E.

Type	Max. number of terminals up to					
	FK 35A	BK M6 60A	BK M8 115A	BK M10 170A	BK M10 220A	BK M12 400A
F.. 3.1..	16	10	8	7	7	7
F.. 3.2..	24	16	14	12	12	11
F.. 3.3..	32	23	20	17	17	16
F.. 3.4..	40	30	26	22	22	20



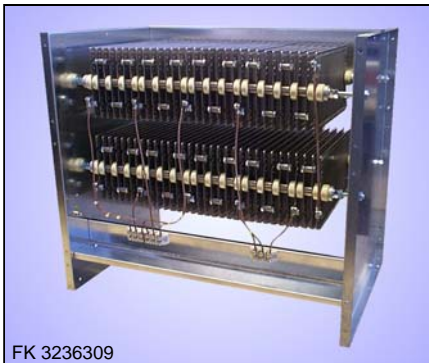
Example of dimensioning and selection of a specific unit:

see Technical Details pages T613E to T620E



Type series FK 3..

1,5 – 66 kW with up to 40 terminals



Steel-grid fixed resistor unit, degree of protection IP 00 with 2 side-panel end plates out of zinc plated steel sheet. Ceramic isolated flat or bolt terminals of 35 A up to 400 A in variable combinations available.

Ⓜ optional, type designation would be FK.U 3..

Technologies

- for middle and high power ratings
- Up to 40 FK-terminals
- continuous dissipation up to 66 kW
- for floor-level mounting
- optional with temperature switch (TS), type designation would be then FKQ 3...

The necessary terminals are mounted on a terminal strip in the lower part of the device.

You will find suggestions for the dimensioning of the resistor for short time load at chapter Technical Details, pages T613E to T620E.

Application

This construction is especially appropriate for big power ratings that are to be low in weight and in price. The same applies to the installation in closed electrotechnical rooms, where the degree of protection IP 00 is allowed.

Special design

- dimensioning for forced ventilation supplied by the user
- special construction forms for integration into exhaust air ducts for engine radiators

Option

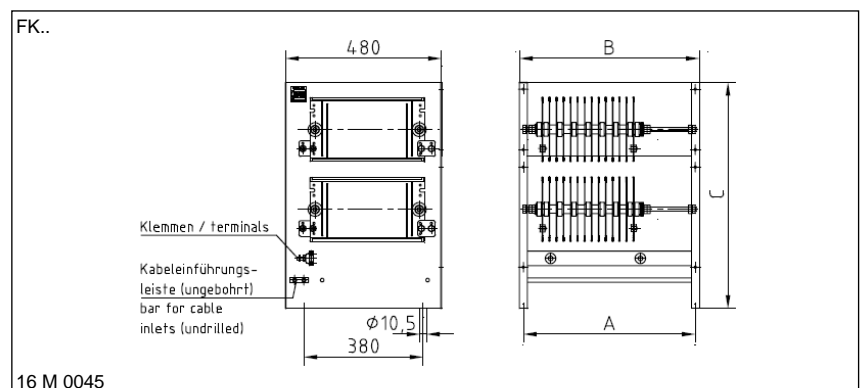
- with temperature switch wired on 2 terminals, type then FKQ...

Electrical and mechanical data

Type FK 3.. without TS, FKQ. 3.. with TS	max. typical power in kW at 40°C and 100% DCF	production range Ω-value		max. number of steel-grids corresp. to given type size	dimensions in mm			max. weight in kg
		from	to		A	B	C	
FK. 31114..	7,0	0,31	78	14	370	395	460	19
FK. 31224..	12,0	0,53	134	24	570	595	460	26
FK. 31334..	17,0	0,75	190	34	770	795	460	38
FK. 31444..	22,0	0,97	246	44	970	995	460	45
FK. 32128..	14,0	0,16	156	28	370	395	710	31
FK. 32248..	24,0	0,27	268	48	570	595	710	46
FK. 32368..	34,0	0,38	380	68	770	795	710	70
FK. 32488..	44,0	0,49	492	88	970	995	710	80
FK. 33272..	36,0	0,18	403	72	570	595	960	62
FK. 33302..	51,0	0,25	570	102	770	795	960	87
FK. 33432..	66,0	0,32	739	132	970	995	960	115

This table only represents the maximum number of steel-grids of the specific size of unit and the corresponding maximum typical power. All numbers of steel-grids corresponding to our types between 3 pc. (1,5 kW) und 132 pc. (66 kW) are available. Type code and selection of units see Technical Details pages T613E to T620E.

Type	Max. number of terminals up to					
	FK 35A	BK M6 60A	BK M8 115A	BK M10 170A	BK M10 220A	BK M12 400A
FK. 3.1..	16	10	8	7	7	7
FK. 3.2..	24	16	14	12	12	11
FK. 3.3..	32	23	20	17	17	16
FK. 3.4..	40	30	26	22	22	20



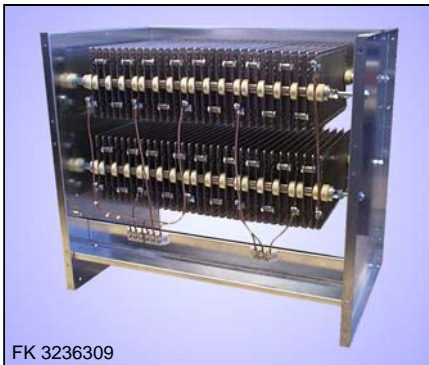
Example of dimensioning and selection of a specific unit:

see Technical Details pages T613E to T620E



Type series FK 3..

1,5 – 66 kW with up to 40 terminals



Steel-grid fixed resistor unit, degree of protection IP 00 with 2 side-panel end plates out of zinc plated steel sheet. Ceramic isolated flat or bolt terminals of 35 A up to 400 A in variable combinations available.

Ⓜ optional, type designation would be FK.U 3..

Technologies

- for middle and high power ratings
- Up to 40 FK-terminals
- continuous dissipation up to 66 kW
- for floor-level mounting
- optional with temperature switch (TS), type designation would be then FKQ 3...

The necessary terminals are mounted on a terminal strip in the lower part of the device.

You will find suggestions for the dimensioning of the resistor for short time load at chapter Technical Details, pages T613E to T620E.

Application

This construction is especially appropriate for big power ratings that are to be low in weight and in price. The same applies to the installation in closed electrotechnical rooms, where the degree of protection IP 00 is allowed.

Special design

- dimensioning for forced ventilation supplied by the user
- special construction forms for integration into exhaust air ducts for engine radiators

Option

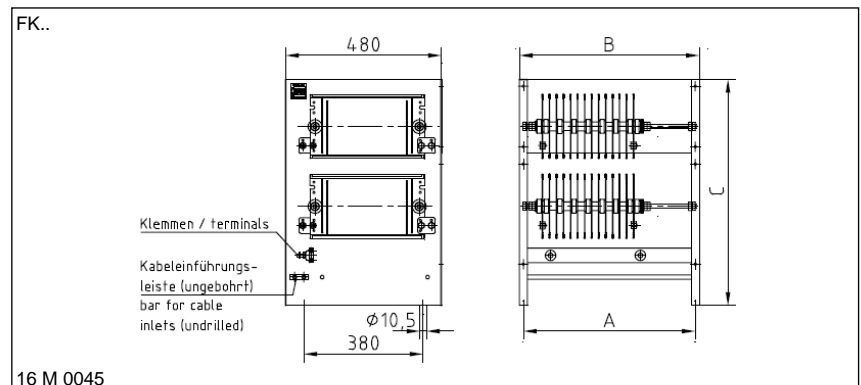
- with temperature switch wired on 2 terminals, type then FKQ...

Electrical and mechanical data

Type FK 3.. without TS, FKQ. 3.. with TS	max. typical power in kW at 40°C and 100% DCF	production range Ω-value		max. number of steel-grids corresp. to given type size	dimensions in mm			max. weight in kg
		from	to		A	B	C	
FK. 31114..	7,0	0,31	78	14	370	395	460	19
FK. 31224..	12,0	0,53	134	24	570	595	460	26
FK. 31334..	17,0	0,75	190	34	770	795	460	38
FK. 31444..	22,0	0,97	246	44	970	995	460	45
FK. 32128..	14,0	0,16	156	28	370	395	710	31
FK. 32248..	24,0	0,27	268	48	570	595	710	46
FK. 32368..	34,0	0,38	380	68	770	795	710	70
FK. 32488..	44,0	0,49	492	88	970	995	710	80
FK. 33272..	36,0	0,18	403	72	570	595	960	62
FK. 33302..	51,0	0,25	570	102	770	795	960	87
FK. 33432..	66,0	0,32	739	132	970	995	960	115

This table only represents the maximum number of steel-grids of the specific size of unit and the corresponding maximum typical power. All numbers of steel-grids corresponding to our types between 3 pc. (1,5 kW) und 132 pc. (66 kW) are available. Type code and selection of units see Technical Details pages T613E to T620E.

Type	Max. number of terminals up to					
	FK 35A	BK M6 60A	BK M8 115A	BK M10 170A	BK M10 220A	BK M12 400A
FK. 3.1..	16	10	8	7	7	7
FK. 3.2..	24	16	14	12	12	11
FK. 3.3..	32	23	20	17	17	16
FK. 3.4..	40	30	26	22	22	20



Example of dimensioning and selection of a specific unit:

see Technical Details pages T613E to T620E